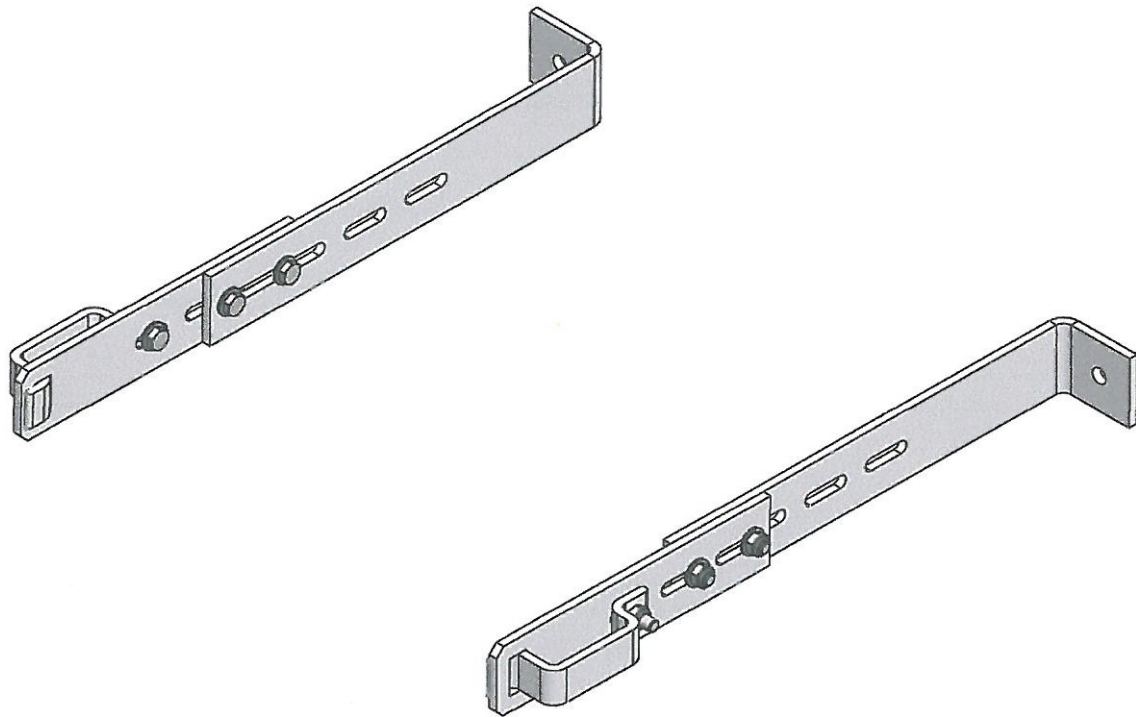




## CERTIFICATE OF CONFORMITY

### Adjustable mounting brackets



L'Echelle Européenne certifies that the adjustable brackets A0002611 and A0002612 comply with the safety requirements of the following manufacturing standards for crinoline ladders:

<b>NF EN 14122-4</b>	Safety of machinery - Permanent means of access to machinery - Part 4 : Fixed ladders
<b>NF E85-016</b>	Elements of industrial facilities - Permanent means of access - Fixed ladders

Saint Jean de Védas, on 10/09/2018

Jean-Baptiste Duvinage, Product Manager

**L'ECHELLE EUROPEENNE**  
 Parc Marcel Dassault  
 447 Rue Henri Farman  
 34430 SAINT JEAN DE VEDAS  
 Tél. : 04 67 27 36 55 - Fax : 04 67 07 50 05  
 RCS : 378 658 827  
 www.echelle-europeenne.com

**L'Echelle Européenne** SARL with a capital of 38112.25 euros—Montpellier Trade and Companies Register 378 658827 00035 APE 82292—VAT No: FR84378658827  
 Parc Dassault - 447. Rue Henri Farman—34430 ST JEAN DE VEDAS—France  
 Tel: 0033 (0)4 67 27 36 55—Fax: 0033 (0)4 67 07 50 05